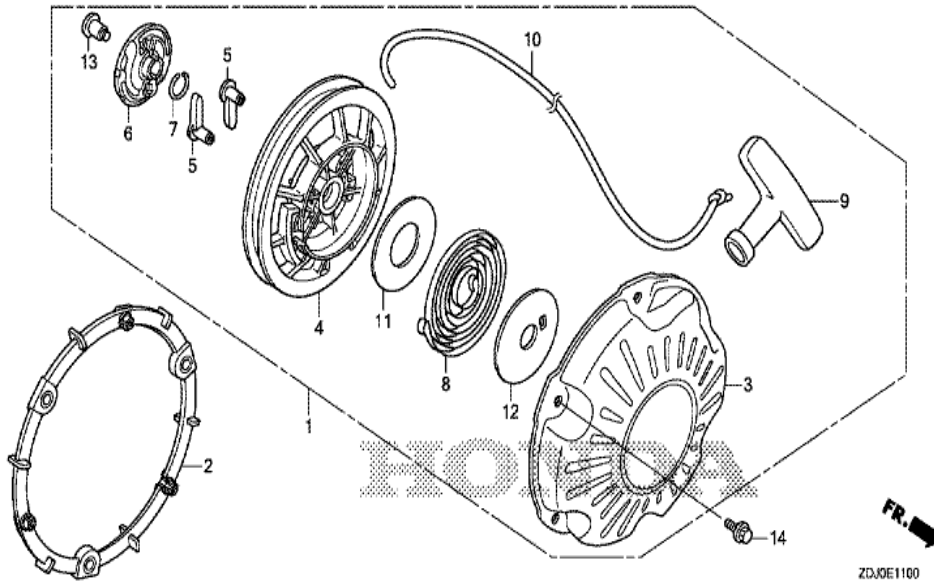


GXR120RT(KRWF)

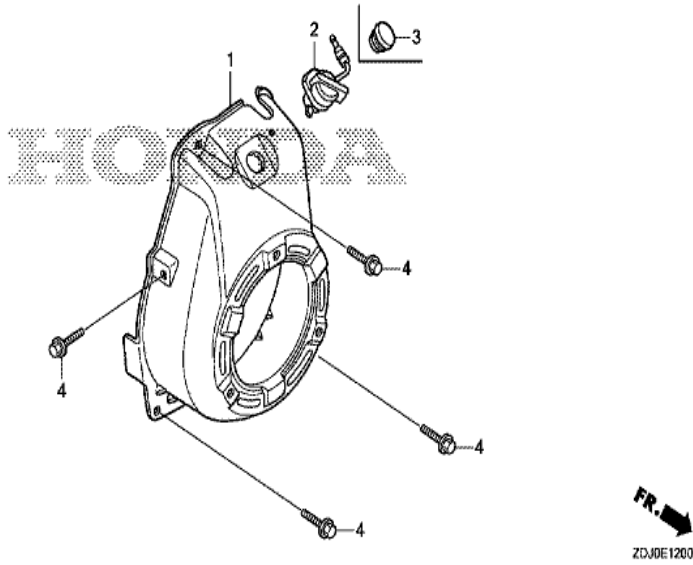
E-11 RECOIL STARTER



<u>Ref</u>	<u>Partnumber</u>	<u>Description</u>	<u>GXR120RT</u>	<u>Serial Numbers</u>
001	28400-ZDJ-003ZB	STARTER ASSY., RECOIL *NH1*	1	
002	28405-ZDJ-000	SPACER, RECOIL STARTER MOUNTING	1	
003	28410-ZDJ-003ZB	CASE COMP., RECOIL STARTER *NH1*	1	
004	28421-Z0D-V02	REEL, RECOIL STARTER	1	
005	28422-ZG0-W02	RATCHET, STARTER	2	
006	28433-ZG0-W02	GUIDE, RATCHET	1	
007	28441-ZW6-003	SPRING, FRICTION	1	
008	28442-ZH8-003	SPRING, RECOIL STARTER	1	
009	28461-ZH8-013	KNOB, RECOIL STARTER	1	
010	28462-Z0D-V03	ROPE, RECOIL STARTER	1	
011	28467-Z0D-V02	PLATE, SIDE	1	
012	28468-Z0D-V02	PLATE, SLIDE	1	
013	90003-ZH8-003	SCREW, SETTING	1	
<u>Ref</u>	<u>Partnumber</u>	<u>Description</u>	<u>GXR120RT</u>	<u>Serial Numbers</u>
014	95701-0601400	BOLT, FLANGE, 6X14	3	

GXR120RT(KRWF)

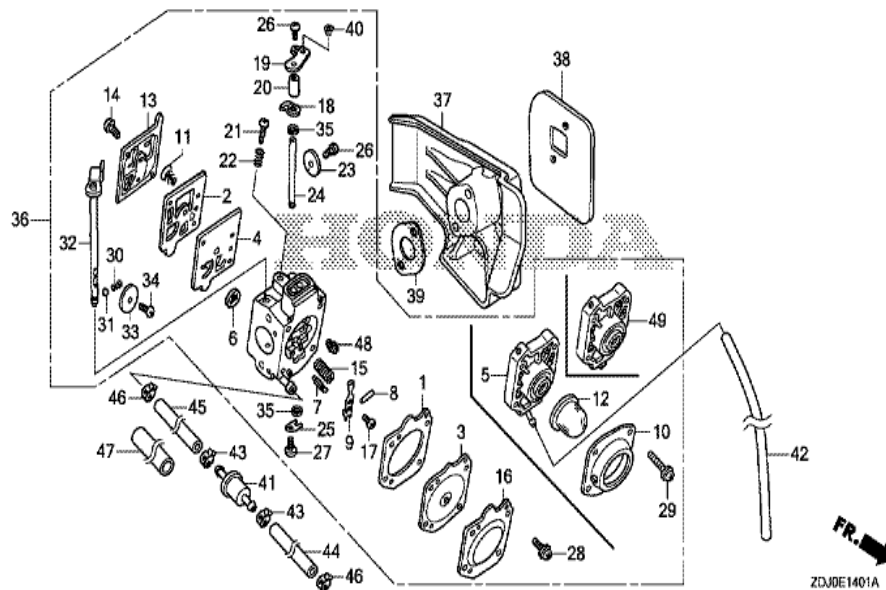
E-12 FAN COVER



<u>Ref</u>	<u>Partnumber</u>	<u>Description</u>	<u>GXR120RT</u>	<u>Serial Numbers</u>
001	19610-Z4E-V60ZA	COVER COMP., FAN *NH1 *	1	
004	90014-952-000	BOLT, FLANGE, 6X14 (CT200)	4	

GXR120RT(KRWF)

E-14-1 CARBURETOR (2) (RAMMER FLOATLESS)

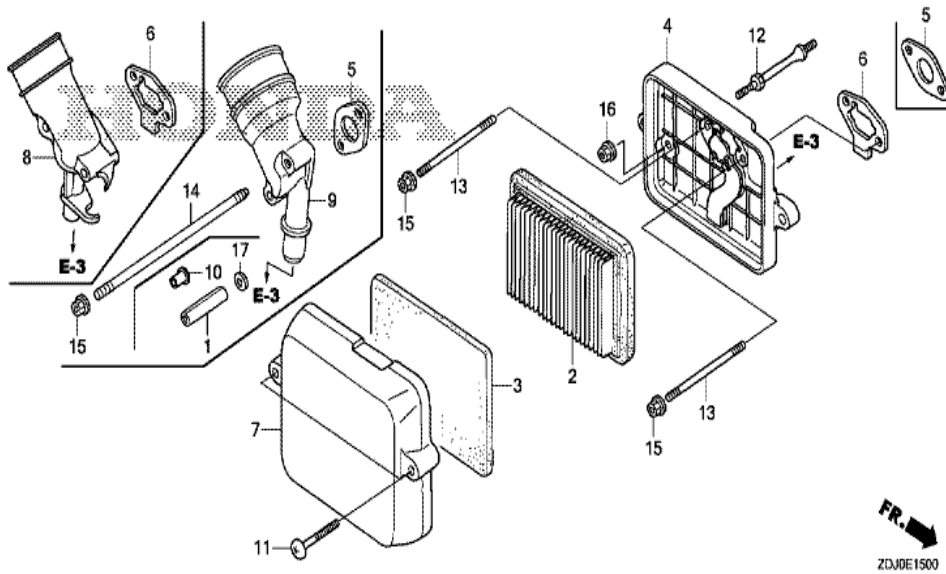


<u>Ref</u>	<u>Partnumber</u>	<u>Description</u>	<u>GXR120RT</u>	<u>Serial Numbers</u>
001	16010-Z0D-V02	GASKET, METERING DIAPHRAGM	1	
002	16011-Z0D-V02	GASKET, PUMP	1	
003	16013-Z4E-S44	DIAPHRAGM ASSY., METERING	1	
004	16014-Z0D-V02	DIAPHRAGM, PUMP	1	
006	16018-ZM3-004	SCREEN, INLET	1	
006	16018-ZM3-004	SCREEN, INLET	1	
007	16019-ZM3-004	VALVE, INLET NEEDLE	1	
008	16022-ZM3-014	PIN, METERING LEVER	1	
009	16023-Z0D-V02	LEVER, METERING	1	
011	16030-ZM3-004	SPRING, PUMP	1	
013	16040-Z4E-802	COVER, PUMP	1	
014	16041-Z0D-V02	SCREW	1	
015	16042-Z0D-V02	SPRING	1	
<u>Ref</u>	<u>Partnumber</u>	<u>Description</u>	<u>GXR120RT</u>	<u>Serial Numbers</u>
016	16043-Z0D-V02	COVER, METERING DIAPHRAGM	1	
017	16044-Z4E-802	SCREW	1	
018	16045-Z0D-V02	STOPPER, THROTTLE LEVER	1	
019	16046-Z0D-V73	LEVER, THROTTLE	1	
020	16048-Z0D-V02	SPACER, THROTTLE LEVER	1	
021	16049-Z4E-S12	SCREW, IDLE ADJUSTING	1	
022	16050-Z0D-V02	SPRING	1	
023	16051-Z4E-S44	VALVE, THROTTLE	1	
024	16052-Z0D-V02	SHAFT, THROTTLE	1	
025	16053-Z0D-V02	CLIP, THROTTLE SHAFT	1	
026	16054-Z0D-V02	SCREW, VALVE	2	
027	16055-Z0D-V02	SCREW ASSY.	1	
028	16055-Z0D-V02	SCREW ASSY.	4	
030	16056-Z0D-V02	SPRING	1	
031	16057-Z0D-V02	BALL	1	
032	16058-Z0D-V72	SHAFT ASSY., CHOKE	1	
033	16059-Z0D-V03	VALVE, CHOKE	1	
034	16060-Z0D-V02	SCREW	1	
035	16061-Z0D-V02	SEAL, DUST	2	
036	16100-ZDJ-014	CARBURETOR ASSY. (HDA-321)	1	
037	16211-ZDJ-000	INSULATOR, CARBURETOR	1	
038	16212-Z0D-V00	PACKING, INSULATOR	1	
039	16221-Z0D-V00	PACKING, CARBURETOR	1	
040	16552-896-650	COLLAR, LEVER	1	

048	99101-Z0D0440	JET (#44)	(1)
048	99101-Z0D0440	JET (#44)	(1)
048	99101-Z0D0460	JET (#46)	(1)
048	99101-Z0D0460	JET (#46)	(1)
048	99101-Z0D0480	JET (#48)	1
048	99101-Z0D0480	JET (#48)	1
048	99101-Z0D0500	JET (#50)	(1)
048	99101-Z0D0500	JET (#50)	(1)
048	99101-Z0D0500	JET (#50)	(1)

GXR120RT(KRWF)

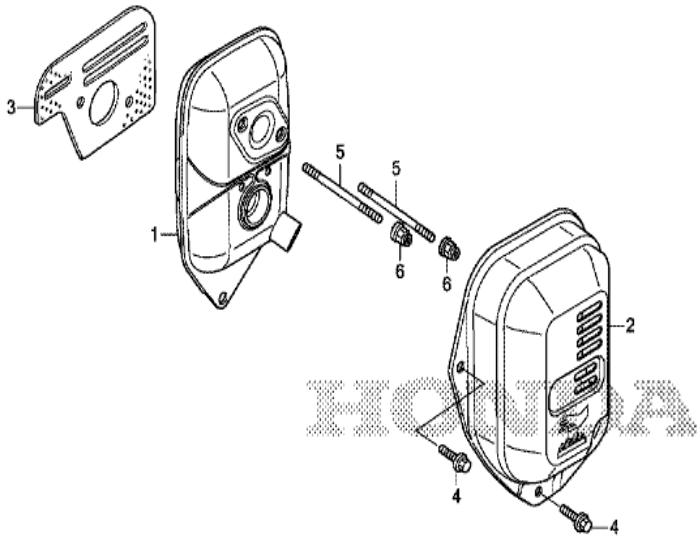
E-15 AIR CLEANER



<u>Ref</u>	<u>Partnumber</u>	<u>Description</u>	<u>GXR120RT</u>	<u>Serial Numbers</u>
002	17211-ZL8-023	ELEMENT, AIR CLEANER (TOYO ROKI)	1	
004	17220-Z0D-V01	CASE COMP., AIR CLEANER	1	
005	17228-Z0D-V01	PACKING, AIR CLEANER	1	
007	17231-Z4E-S11	COVER, AIR CLEANER	1	
011	90011-Z0D-000	BOLT, AIR CLEANER COVER	2	
012	90041-Z0D-V00	BOLT, STUD	1	
013	90042-ZDJ-000	BOLT, STUD, 5X85	2	
015	94050-05000	NUT, FLANGE, 5MM	2	
016	94050-06000	NUT, FLANGE, 6MM	1	

GXR120RT(KRWF)

E-16 MUFFLER

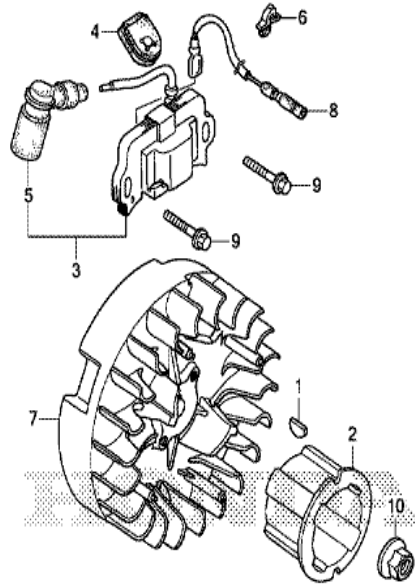


ZDJ0E1600

<u>Ref</u>	<u>Partnumber</u>	<u>Description</u>	<u>GXR120RT</u>	<u>Serial Numbers</u>
001	18310-ZDJ-000	MUFFLER COMP. (RAMMER)	1	
002	18320-ZDJ-000	PROTECTOR COMP., MUFFLER (RAMMER)	1	
003	18381-Z0D-000	GASKET, MUFFLER	1	
004	90014-952-000	BOLT, FLANGE, 6X14 (CT200)	3	
005	90048-ZDJ-000	BOLT, STUD, 6X56.5	2	
006	90343-ZE6-000	NUT, SELF-LOCK, 6MM	2	

GXR120RT(KRWF)

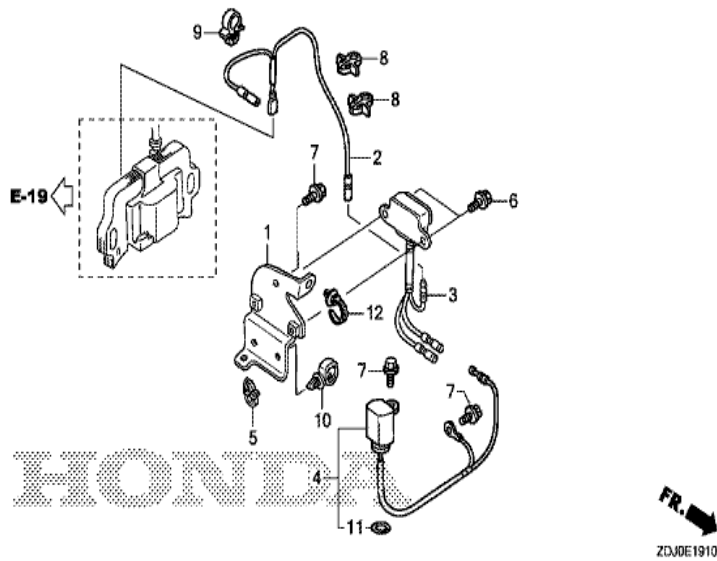
E-19 FLYWHEEL/IGNITION COIL

FR. →
ZDJE1900

<u>Ref</u>	<u>Partnumber</u>	<u>Description</u>	<u>GXR120RT</u>	<u>Serial Numbers</u>
001	13331-357-000	KEY, SPECIAL WOODRUFF, 25X18	1	
002	28451-ZDJ-003	PULLEY, STARTER	1	
003	30500-Z0D-V02	COIL ASSY., IGNITION	1	
004	30564-ZA5-000	GROMMET, CORD	1	
005	30700-Z0D-V01	TERMINAL ASSY., HIGH TENSION	1	
007	31110-ZDJ-003	FLYWHEEL COMP.	1	
009	90022-888-010	BOLT, FLANGE, 6X20 (CT200)	2	
010	90201-Z0T-800	NUT, SPECIAL, 14MM	1	

GXR120RT(KRWF)

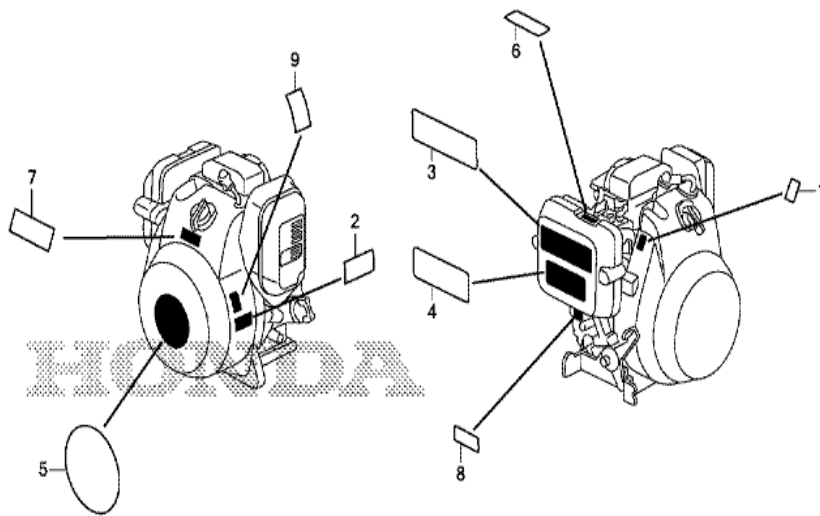
E-19-10 OIL ALERT/OIL LEVEL SWITCH



<u>Ref</u>	<u>Partnumber</u>	<u>Description</u>	<u>GXR120RT</u>	<u>Serial Numbers</u>
001	32112-Z4E-S11	BRACKET, OIL ALERT UNIT	1	
002	32195-Z4E-S10	CORD, STOP SWITCH	1	
003	34150-Z4E-801	ALERT UNIT, OIL (START LED)	1	
004	35480-Z4E-S11	SWITCH ASSY., OIL LEVEL	1	
005	36103-ZE1-000	HOLDER, STOP SWITCH CORD	1	
006	90002-MC7-000	BOLT, FLANGE, 5X8	2	
007	90014-952-000	BOLT, FLANGE, 6X14 (CT200)	4	
008	90681-959-003	CLIP A, CABLE (NIFCO) (3.8MM BLACK)	2	
009	90682-959-661	CLIP B, CABLE (9MM BLACK)	1	
010	90683-SA0-003	CLIP, WIRE HARNESS, 25MM	1	
011	91302-ZL8-003	O-RING, 11.8X2.4	1	
012	91540-S30-003	CLIP, HARNESS BAND (NATURAL) (151.5MM)	1	

GXR120RT(KRWF)

E-28 LABEL

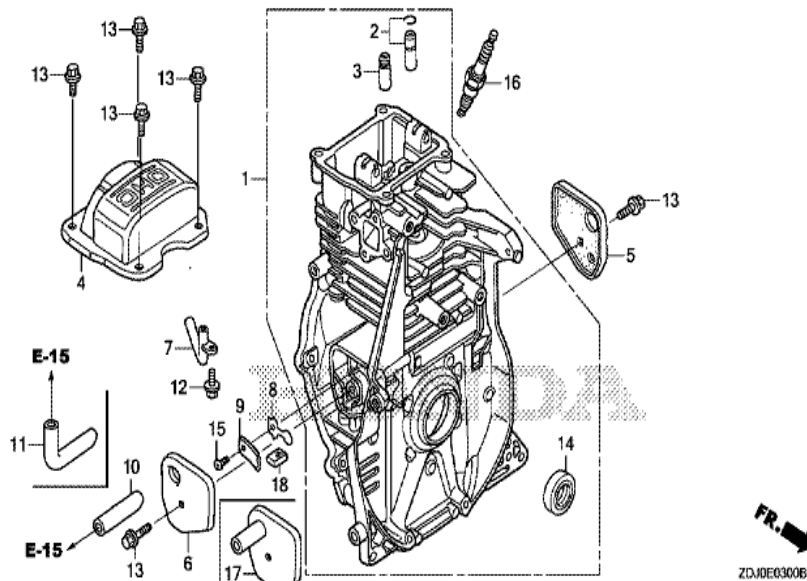


ZDJ0E2800A

<u>Ref</u>	<u>Partnumber</u>	<u>Description</u>	<u>GXR120RT</u>	<u>Serial Numbers</u>
003	87519-ZDD-000	MARK, OPERATOR CAUTION (PICTOGRAPH)	1	
005	87521-ZDJ-000	EMBLEM	1	
006	87528-ZOD-000	MARK, CHOKE INDICATION	1	
008	87601-Z4E-S70	MARK, TYPE (KRWF)	1	

GXR120RT(KRWF)

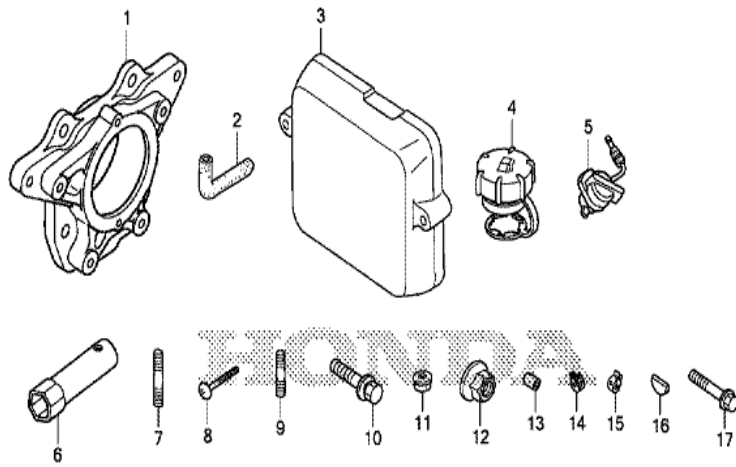
E-3 CYLINDER BARREL



<u>Ref</u>	<u>Partnumber</u>	<u>Description</u>	<u>GXR120RT</u>	<u>Serial Numbers</u>
001	12000-ZDJ-305	BARREL ASSY., CYLINDER	1	
002	12201-ZOD-305	GUIDE ASSY., EX. VALVE (O.S.)	1	
003	12204-ZOD-305	GUIDE, IN. VALVE (O.S.)	1	
004	12311-ZOD-000	COVER, HEAD	1	
005	12355-ZOD-000	COVER COMP. A, BREATHER	1	
006	12365-ZOD-000	COVER COMP. B, BREATHER	1	
007	15171-ZOD-V00	PIPE, BREATHER	1	
008	15571-ZOD-V71	VALVE, OIL OUTLET	1	
009	15572-ZM7-000	PLATE, STOPPER	1	
010	15721-ZOD-V00	TUBE, BREATHER	1	
012	90008-ZM7-000	BOLT, 4X10	1	
013	90014-952-000	BOLT, FLANGE, 6X14 (CT200)	6	
014	91202-ZE6-013	OIL SEAL, 22X35X6	1	
<u>Ref</u>	<u>Partnumber</u>	<u>Description</u>	<u>GXR120RT</u>	<u>Serial Numbers</u>
015	93500-030050A	SCREW, PAN, 3X5	1	
016	98056-55757	PLUG, SPARK (U16FSR-UB)	1	
016	98056-55777	PLUG, SPARK (CR5HSB)	1	

GXR120RT(KRWF)

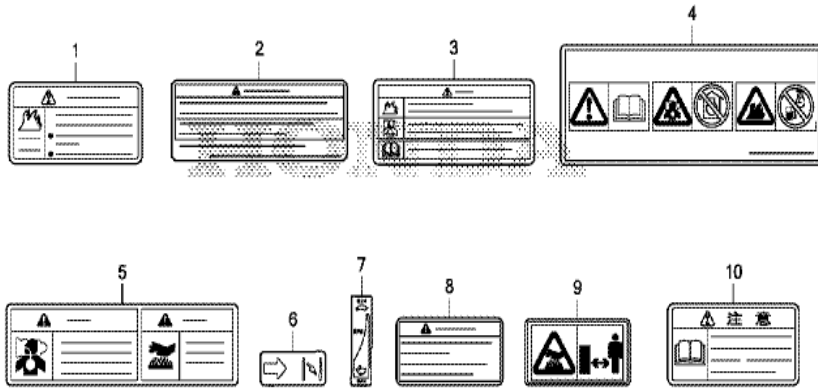
E-40 OTHER PARTS (1)



ZDJE4000A

<u>Ref</u>	<u>Partnumber</u>	<u>Description</u>	<u>GXR120RT</u>	<u>Serial Numbers</u>
006	89216-045-670	WRENCH, PLUG	1	
013	94303-06100	DOWEL PIN, 6X10	2	

GXR120RT(KRWF)	E-40-1 OTHER PARTS (2)
----------------	------------------------

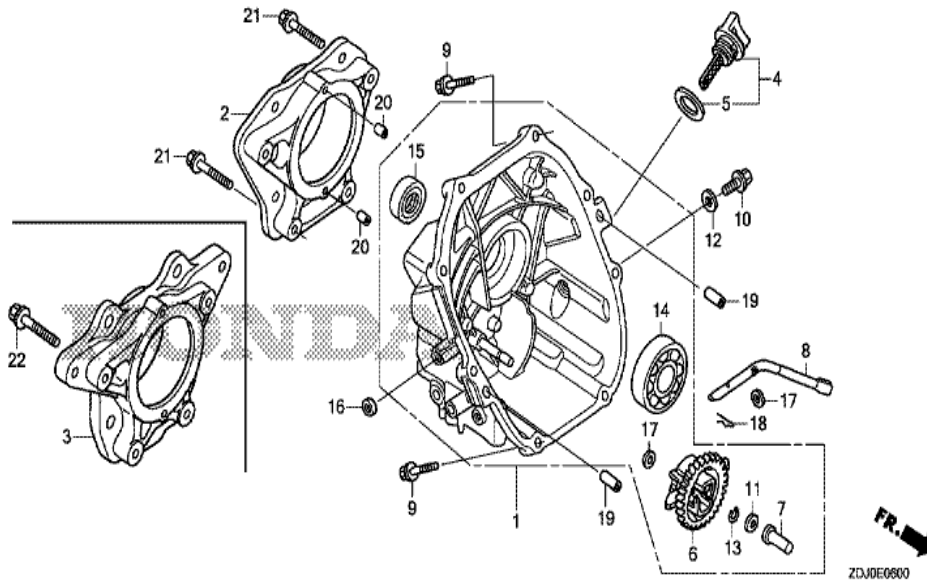


ZDJ0E40G1A

<u>Ref</u>	<u>Partnumber</u>	<u>Description</u>	<u>GXR120RT</u>	<u>Serial Numbers</u>
002	87516-ZDD-000	MARK, OPERATOR CAUTION (ENGLISH)	1	
002	87516-ZDD-800	MARK, OPERATOR CAUTION (FRENCH)	1	
008	87539-Z0J-000	MARK, EX. CAUTION (ENGLISH)	1	
008	87539-Z0J-810	MARK, EX. CAUTION (FRENCH)	1	

GXR120RT(KRWF)

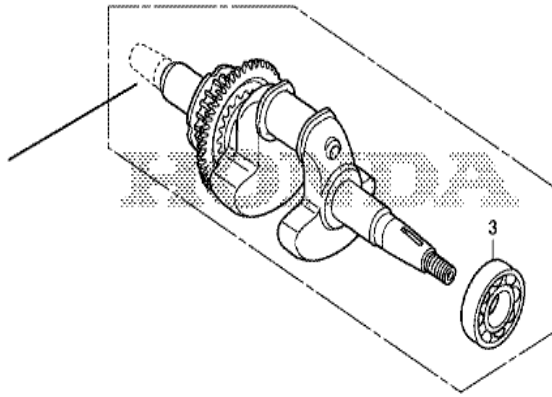
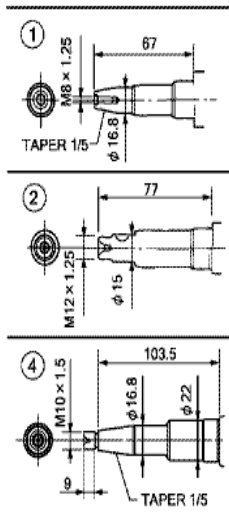
E-6 CRANKCASE COVER



<u>Ref</u>	<u>Partnumber</u>	<u>Description</u>	<u>GXR120RT</u>	<u>Serial Numbers</u>
001	11300-ZDJ-306	COVER ASSY., CRANKCASE	1	
004	15600-Z3F-000	CAP ASSY., OIL FILLER	1	
005	15625-Z0T-800	PACKING, OIL FILLER CAP	1	
006	16510-ZL8-000	GOVERNOR ASSY.	1	
007	16531-ZE1-000	SLIDER, GOVERNOR	1	
008	16541-Z0D-000	SHAFT, GOVERNOR ARM	1	
009	90121-952-000	BOLT, FLANGE, 6X25 (CT200)	8	
010	90131-ZE1-000	BOLT, DRAIN PLUG	1	
011	90451-ZE1-000	WASHER, THRUST, 6MM	1	
012	90601-ZE1-000	WASHER, DRAIN PLUG, 10.2MM	1	
013	90602-ZE1-000	CLIP, GOVERNOR HOLDER	1	
014	91001-878-003	BEARING, RADIAL BALL,	1	
015	91203-ZE0-013	OIL SEAL, 22X41X6	1	
<u>Ref</u>	<u>Partnumber</u>	<u>Description</u>	<u>GXR120RT</u>	<u>Serial Numbers</u>
016	91231-891-003	OIL SEAL, 6X11X4 (ARAI)	1	
017	94101-06800	WASHER, PLAIN, 6MM	2	
018	94251-08000	PIN, LOCK, 8MM	1	
019	94301-08200	DOWEL PIN, 8X20	2	

GXR120RT(KRWF)

E-7 CRANKSHAFT



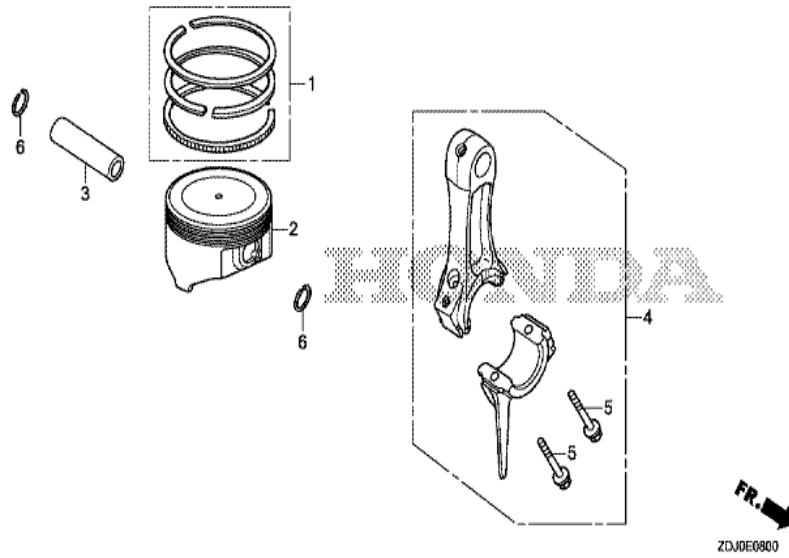
FR. →

ZDJ0E0700A

<u>Ref</u>	<u>Partnumber</u>	<u>Description</u>	<u>GXR120RT</u>	<u>Serial Numbers</u>
001	13310-ZDJ-000	CRANKSHAFT COMP.	1	
003	91005-KS4-003	BEARING, RADIAL BALL, 62/22	1	

GXR120RT(KRWF)

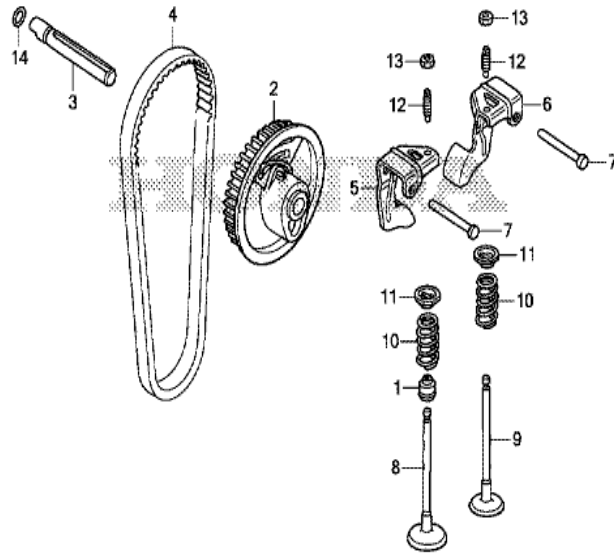
E-8 PISTON/CONNECTING ROD



<u>Ref</u>	<u>Partnumber</u>	<u>Description</u>	<u>GXR120RT</u>	<u>Serial Numbers</u>
001	13010-ZDJ-003	RING SET, PISTON (STD.) (NIPPON PISTON R	1	
002	13101-ZDJ-000	PISTON	1	
003	13111-ZE0-000	PIN, PISTON	1	
004	13200-ZDJ-000	ROD ASSY., CONNECTING	1	
004	13200-ZDJ-305	ROD ASSY., CONNECTING (UNDER SIZE)	(1)	
005	90001-ZDJ-000	BOLT, CONNECTING ROD, 6X32	2	
006	90551-ZE0-000	CLIP, PISTON PIN, 13MM	2	

GXR120RT(KRWF)

E-9 CAMSHAFT PULLEY

FR. →
ZDJD0900

<u>Ref</u>	<u>Partnumber</u>	<u>Description</u>	<u>GXR120RT</u>	<u>Serial Numbers</u>
001	12209-KT7-013	SEAL, VALVE STEM	1	
002	14320-ZDD-000	PULLEY COMP., CAMSHAFT	1	
003	14324-ZOD-000	SHAFT, CAM PULLEY	1	
004	14400-ZOD-003	BELT, TIMING (61YU7 G-200)	1	
005	14431-ZDD-000	ARM, IN. VALVE ROCKER	1	
006	14441-ZDD-000	ARM, EX. VALVE ROCKER	1	
007	14461-ZL8-000	SHAFT, ROCKER ARM	2	
008	14711-ZOD-000	VALVE, IN.	1	
009	14721-ZOD-000	VALVE, EX.	1	
010	14751-ZOD-000	SPRING, VALVE	2	
011	14771-ZM3-010	RETAINER, VALVE SPRING	2	
012	90012-333-000	SCREW, TAPPET ADJUSTING	2	
013	90206-001-000	NUT, TAPPET ADJUSTING	2	
<u>Ref</u>	<u>Partnumber</u>	<u>Description</u>	<u>GXR120RT</u>	<u>Serial Numbers</u>
014	91301-ZM0-V31	O-RING, 6.8X1.9 (ARAI)	1	